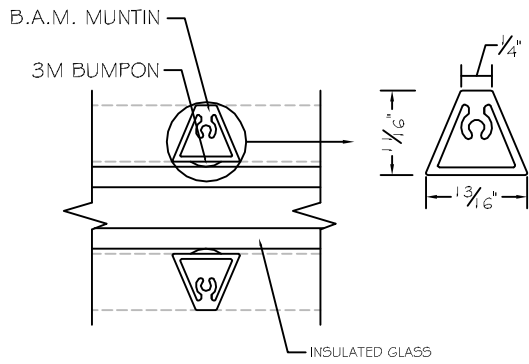


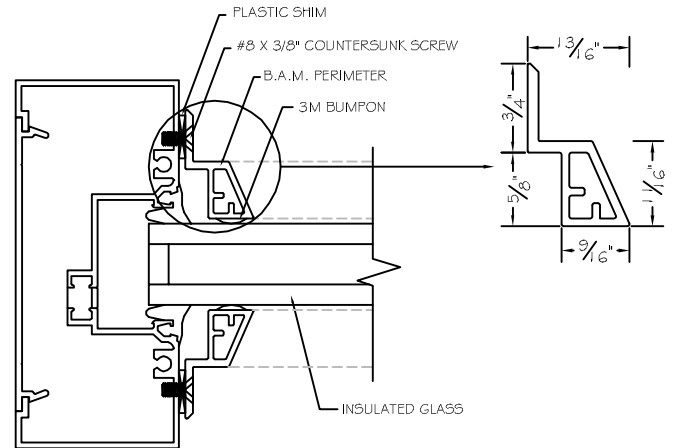
B.A.M.

STANDARD SCREW APPLICATION SYSTEM DETAILS

BVB-1



BVB-2



BVB-3

