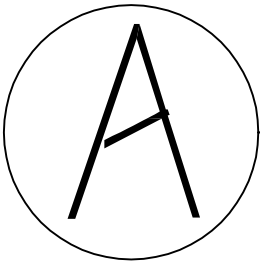
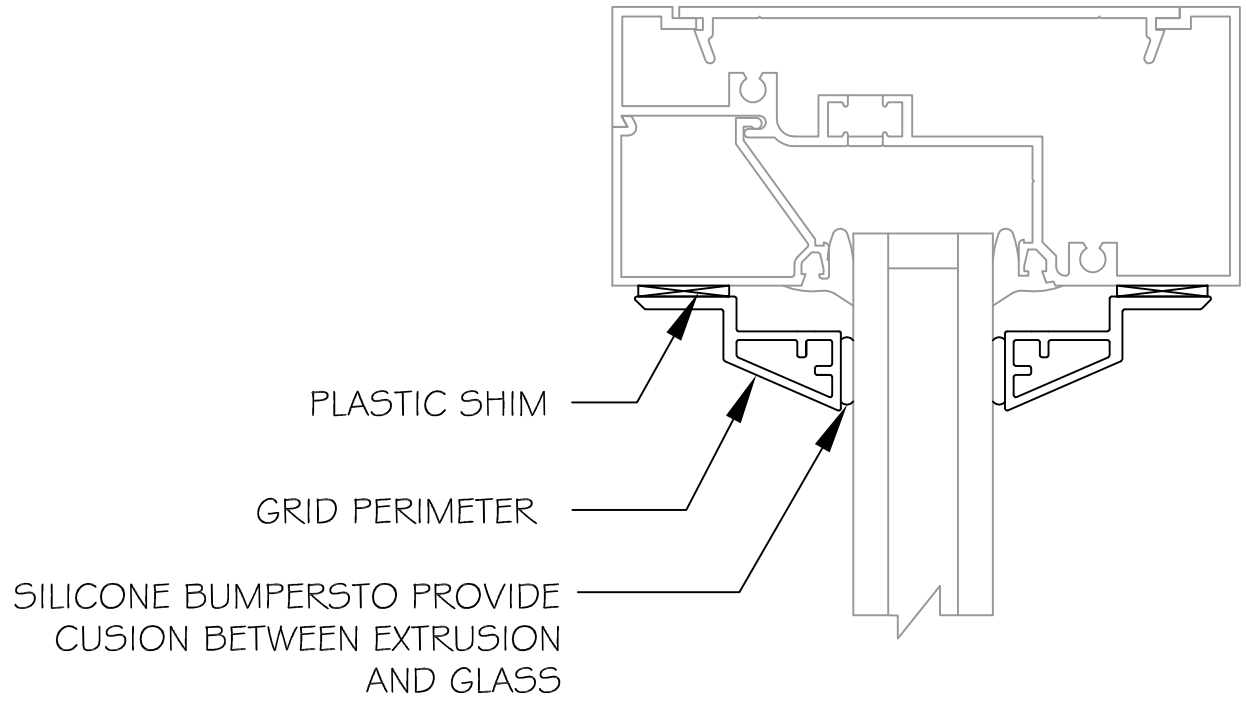
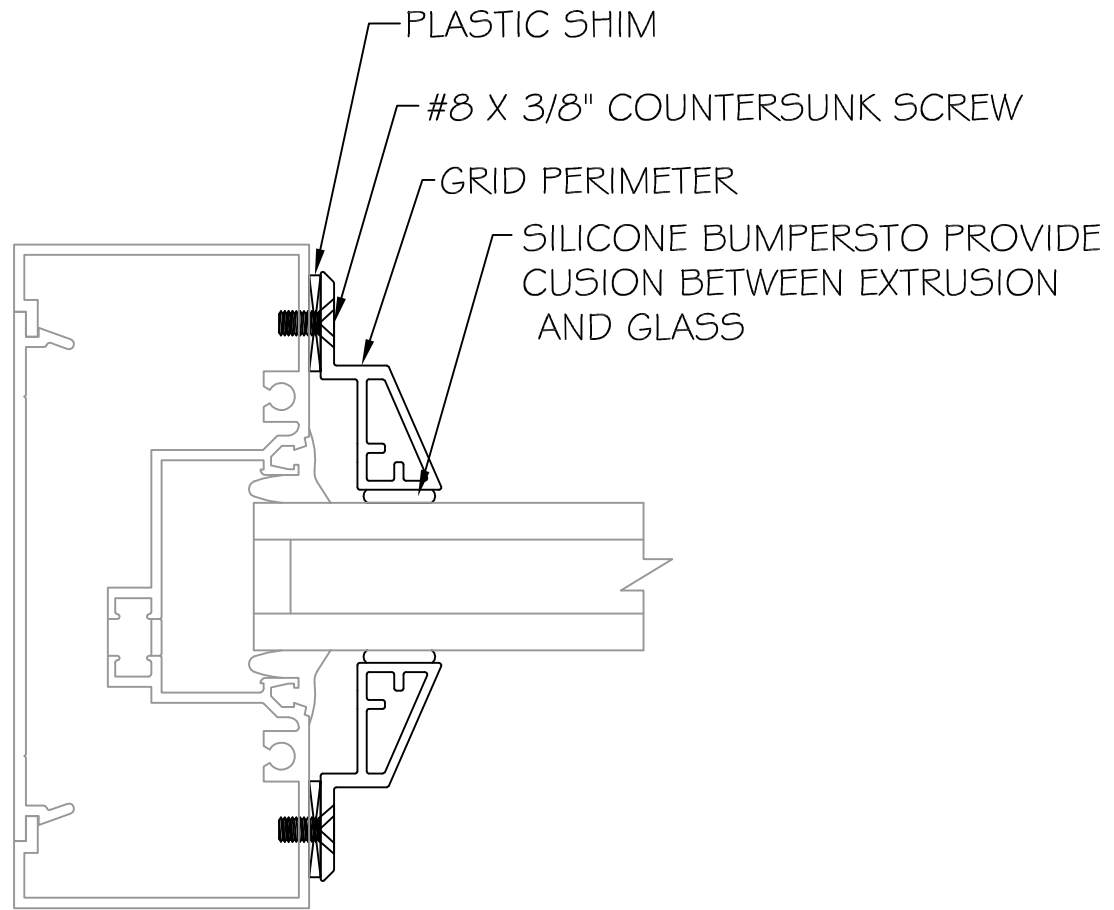


SAMPLE SCREW-APPLIED ELEVATION
APPLIED TO STOREFRONT



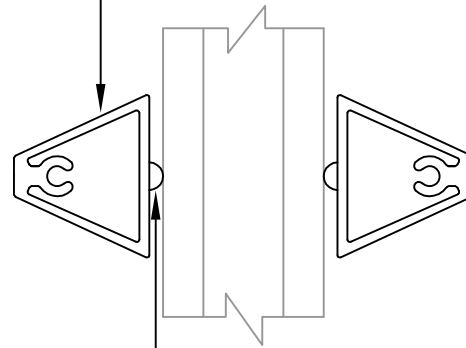
BVB-2 AT STOREFRONT HEAD



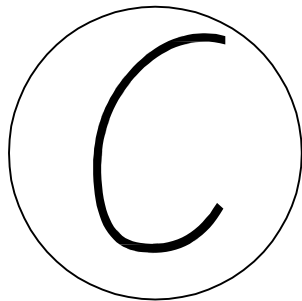
B

BVB-2 AT STOREFRONT JAMB

B.A.M. MUNTIN
EXTRUSION



BUMPON
CUSHIONS

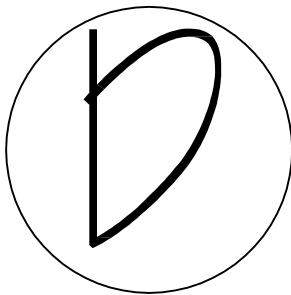
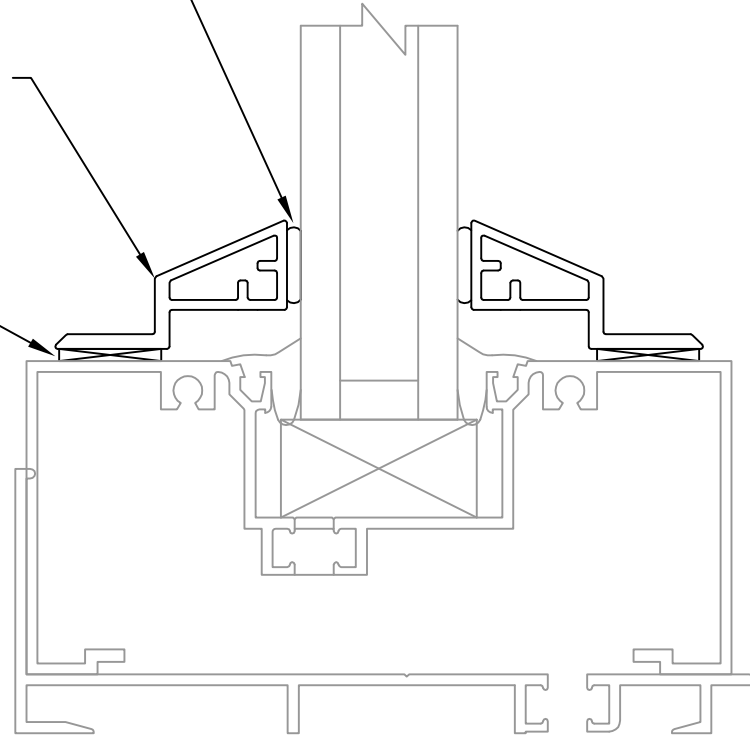


BVB-1 AT HORIZONTAL INTERSECTION

SILICONE BUMPER TO PROVIDE
CUSHION BETWEEN EXTRUSION
AND GLASS

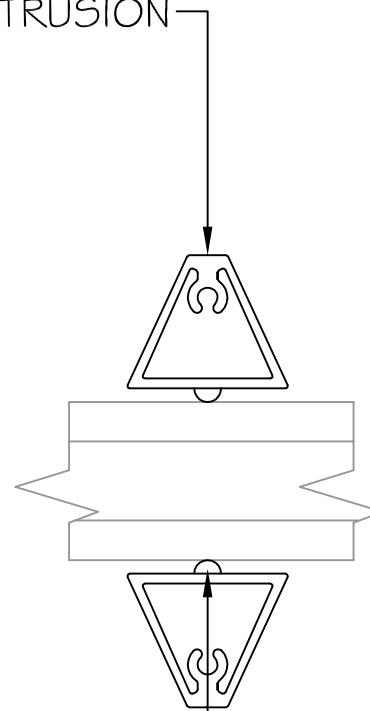
GRID PERIMETER

PLASTIC SHIM

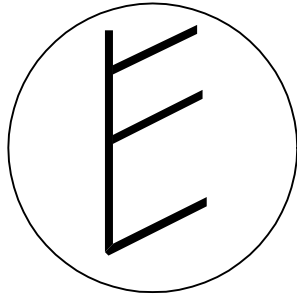


BVB-2 AT STOREFRONT SILL

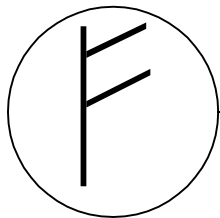
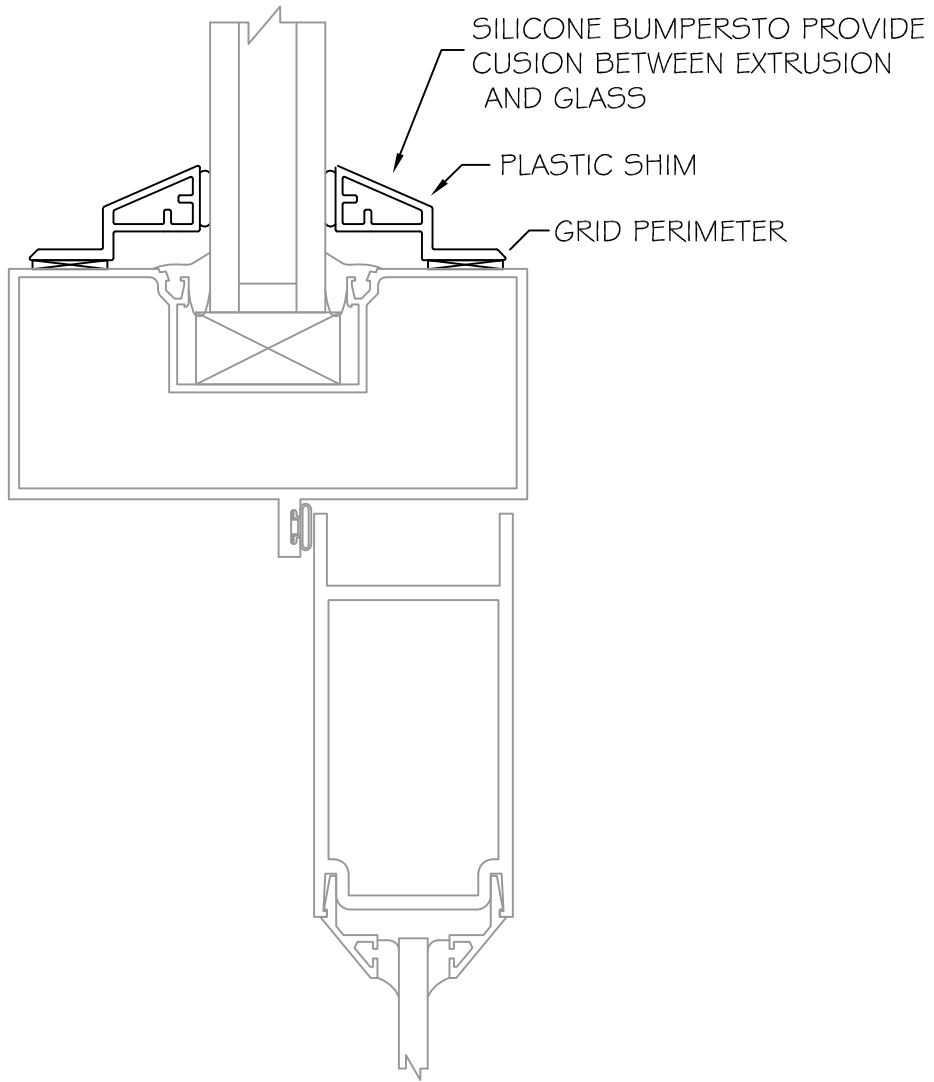
B.A.M. MUNTIN
EXTRUSION



BUMPON
CUSHIONS



BVB-1 AT VERTICAL INTERSECTION



BVB-2 AT STOREFRONT TRANSOM