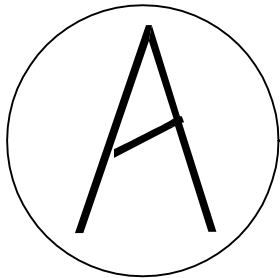
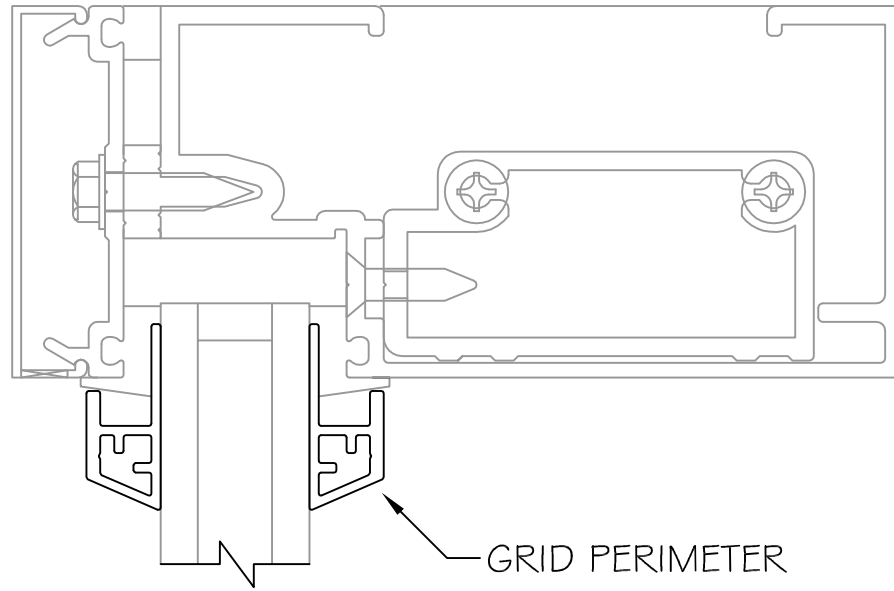
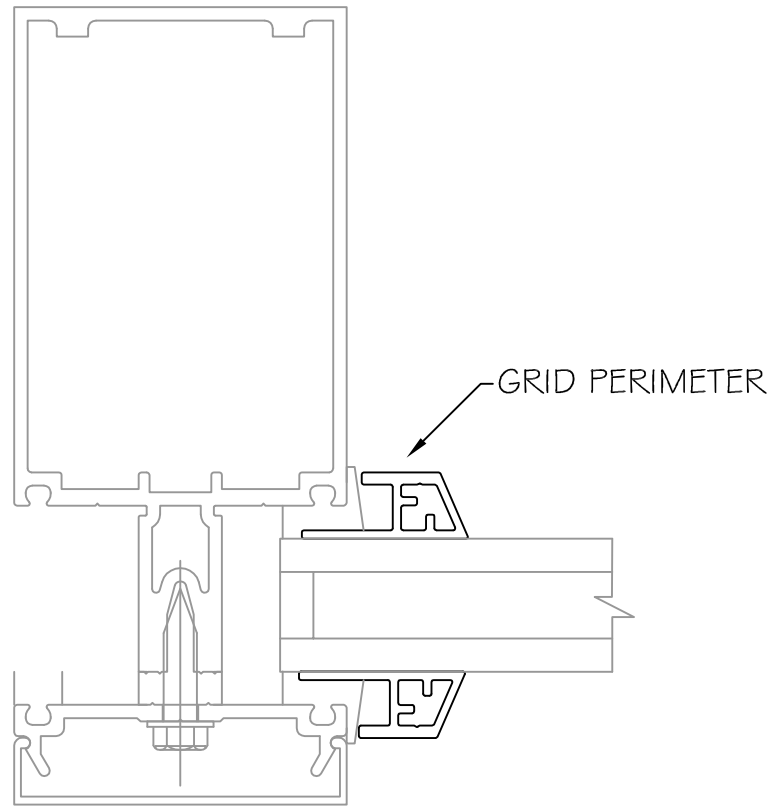


SAMPLE GLAZE-IN ELEVATION
APPLIED TO CURTAINWALL

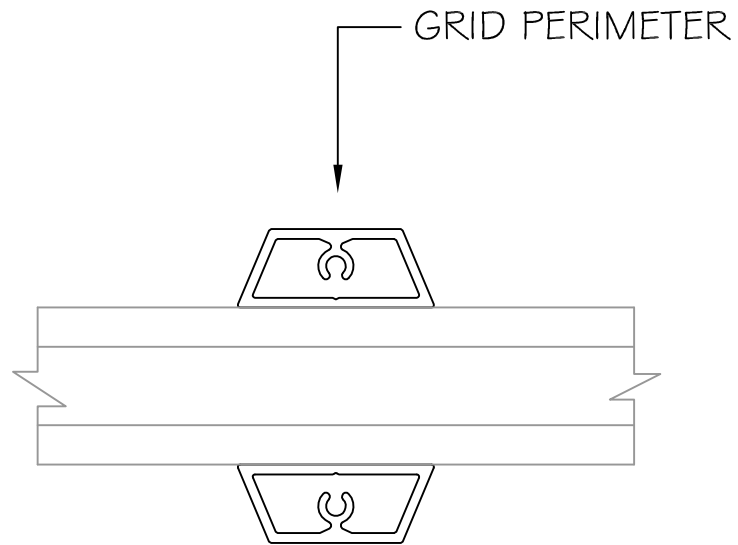


BVB-5 AT CURTAIN WALL HEAD



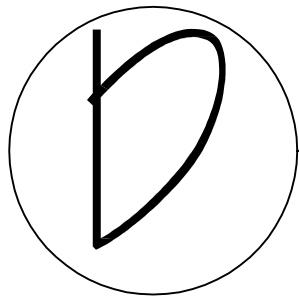
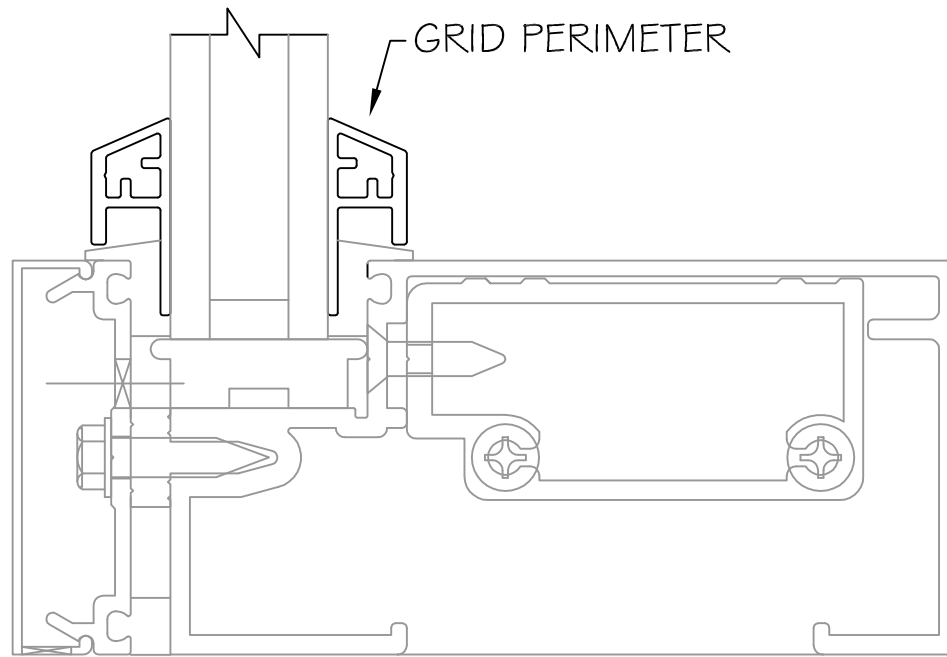
B

BVB-5 AT CURTAIN WALL JAMB

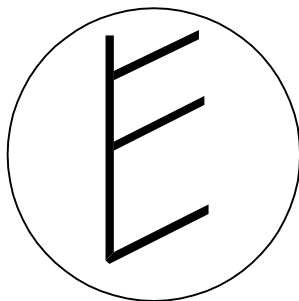
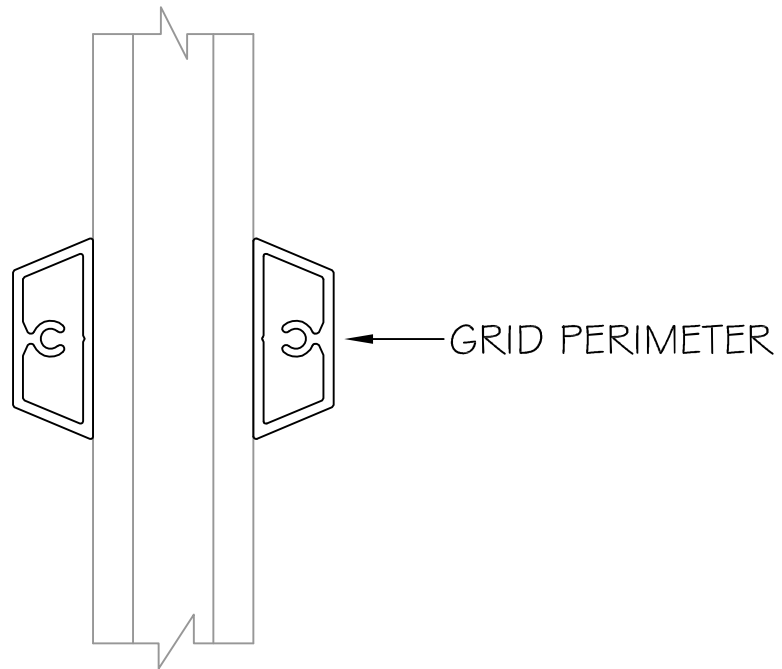


C

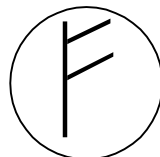
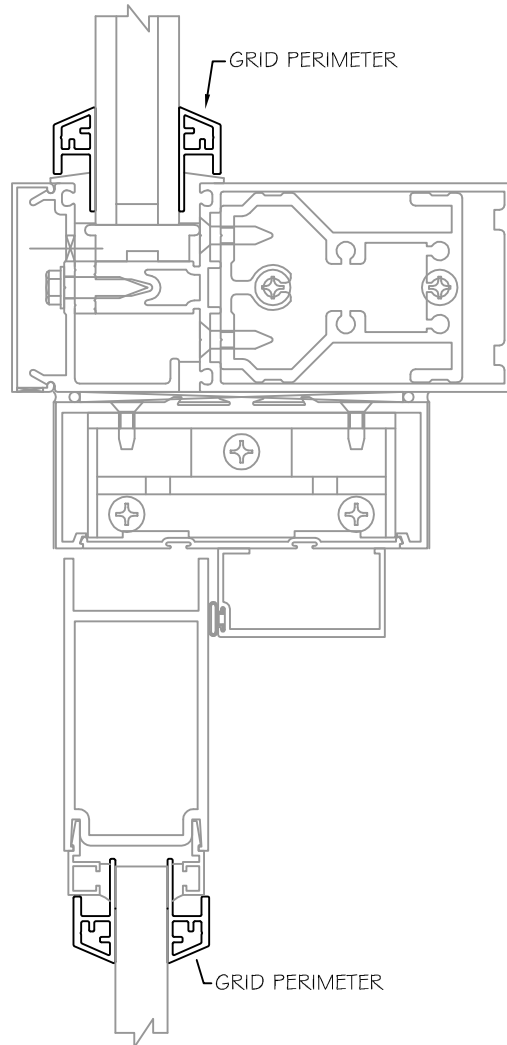
BVB-4 AT VERTICAL INTERSECTION



BVB-5 AT CURTAIN WALL SILL



BVB-4 AT HORIZONTAL INTERSECTION



BVB-5 AT DOOR HEAD AND CURTAIN WALL TRANSOM